



## Common Mode Chokes T25 series

Used for reducing noise conducted through power or signal lines. Designed to the following specifications.

- Reduces conductive EMI emission
- High inductance, compact size
- Easy mounting with pre-shaped pins
- Easy soldering with pre-tinned pins
- Rated current to cause 55°C maximum temperature rise.
- Dielectric strength up to 1500Vrms and enough of creep age distance.
- Meet RoHS compliant materials and processes
- Plastic materials in compliance with UL94V-0

### Specifications

|                        |                        |
|------------------------|------------------------|
| Inductance range:      | 1.0 – 20 mH            |
| Current range:         | 2 – 10 A RMS           |
| Rated voltage:         | 85Vac- 264Vac          |
| Dielectric Strength:   | 1.5kV RMS              |
| Operating temperature: | -25°C to +115°C.       |
| According to:          | EN138100 and EN60938-1 |



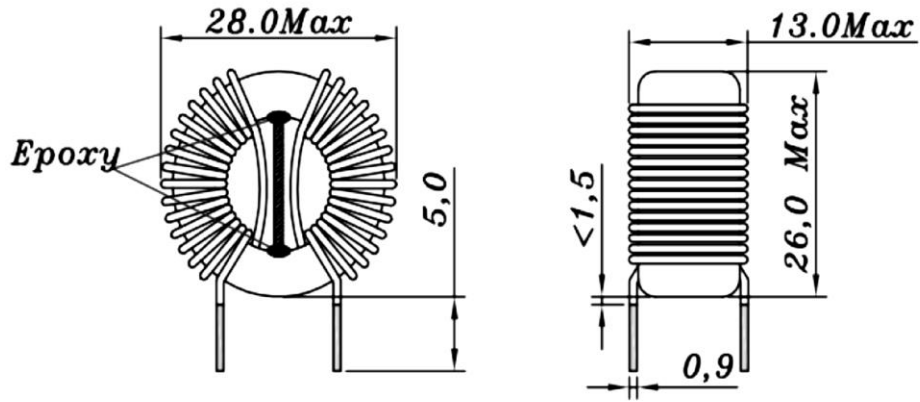
### Selection Guide

| Part Type | Inductance/Line (mH)* | DCR (Line) (Ohms)# | I RMS Max (A) | Dielectric Strength | Type |
|-----------|-----------------------|--------------------|---------------|---------------------|------|
| WT174100  | 1.0                   | 0.007              | 10            | 1500Vrms            | T25  |
| WT174101  | 2.2                   | 0.02               | 6             |                     |      |
| WT174102  | 3.3                   | 0.026              | 8             |                     |      |
| WT174103  | 3.3                   | 0.035              | 4             |                     |      |
| WT174104  | 10                    | 0.105              | 3             |                     |      |
| WT174105  | 20                    | 0.22               | 2             |                     |      |

\*) Inductance measured at +20°C and 10kHz, 0.1mA. Tolerance: +50% / -30%

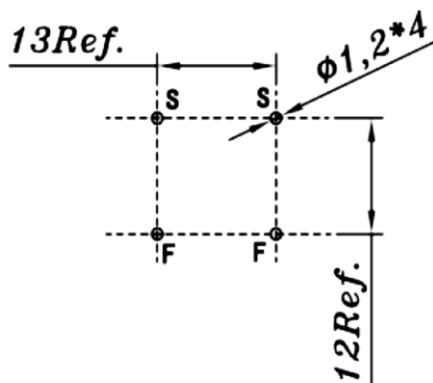
#) Typical value of DC resistance measured at +20°C

**Overall Dimensions (mm):**

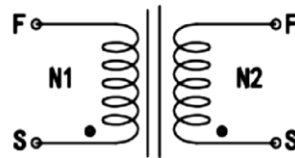


Pin distance tolerance: +/- 0.2 mm

**Hole pattern (mm):**



**Schematic:**



Weight: Approximate 0.030 kg