

## Moulded 1 Phase EI Transformer WEI-DIN TS35 with push on terminals

Standard moulded 1 phase EI transformers with 6.3x0.8 push on terminals and DIN rail TS35 mount. Designed according to the following specifications.

- High quality safety and isolating transformers designed for use in general applications
- Standard primary winding 230VAC
- Encapsulated in resin
- Detailed product specification on permanent label
- High efficiency, low regulation design
- 100% electrical and flash tested



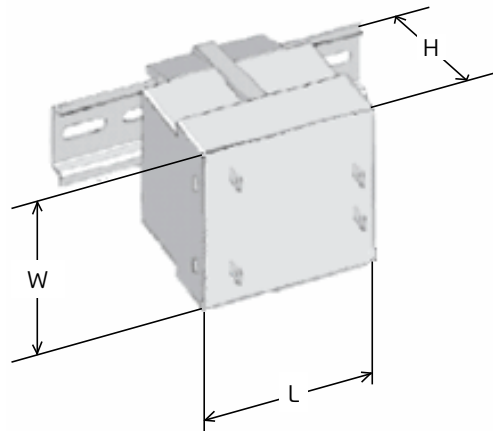
### Specifications

Power: 12 - 100 VA  
Frequency: 50/60 Hz  
Primary: 230 VAC  
Secondary: 6, 9, 12, 15, 18, 24, 48, 115, 230 VAC  
Isolation: 4 kV RMS  
Temp. class: B (130°)  
According to: EN61558



### Technical specification

Power [VA]	Overall Size L x W x H [mm]
12	54 x 61 x 44
20	60 x 64 x 50
30	66 x 67 x 58
50	72 x 70 x 65
63	85 x 77 x 74
80	85 x 77 x 74
100	85 x 77 x 74



Power [VA]	Prim.[V]	Secondary [V]									
		6	9	12	15	18	24	42	48	115	230
12	230V	6	9	12	15	18	24	42	48	115	230
20		6	9	12	15	18	24	42	48	115	230
30		6	9	12	15	18	24	42	48	115	230
50		6	9	12	15	18	24	42	48	115	230
63		6	9	12	15	18	24	42	48	115	230
80		6	9	12	15	18	24	42	48	115	230
100		6	9	12	15	18	24	42	48	115	230

Subject to errors and changes in product specifications.