

Single Phase Standard Transformer Series WST2

Sizes from 2kVA to 25kVA

The single phase transformers in this series meet the requirements of EN 61558. They are designed according to the following specifications:

- 1- Phase full transformer for installation
- Input voltage on request
- Primary nominal voltage range up to 1000V incl. any number of taps possible (e.g. +/-10% over voltage taps)
- Maximum nominal output voltage: 1000V
- Rated secondary voltage at 80% load
- Copper safety shield / EMI shield between the windings (optional)
- Temperature-bimetal switches for temperature monitoring (optional)
- Connections: Screw connectors at DIN rail
- Made from UL approved materials only



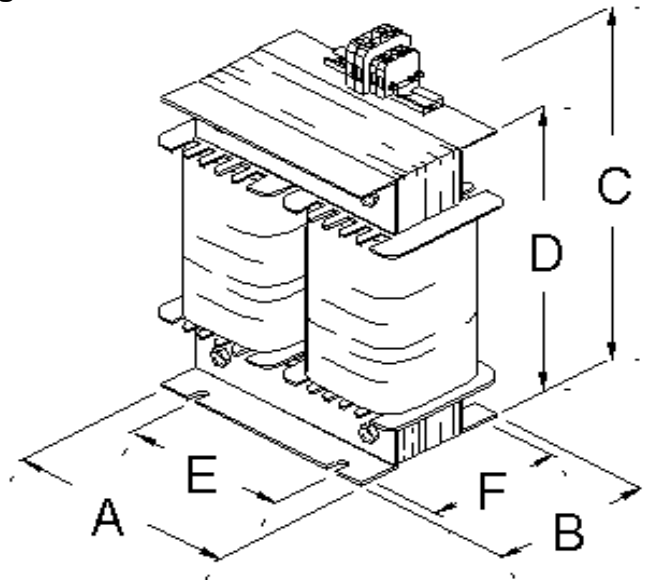
Specifications

Power:	2000 – 25.000 VA
Frequency:	50-60Hz
Primary:	On request
Secondary:	On request
Vector group:	Dyn-11
T Ambient:	max 40°
Insulation cl.:	B or F (130/155°C)
According to:	IEC989/IEC61558-2-1, EN61558-2-4, EN61558-2-6



Connection:

Dimensions and fittings:



Power kVA	Dimensions approx. In mm						Weight(kg)
	A	B	C	D	E	F	
2	200	130	310	255	120	93	19
2.5	200	143	310	255	120	106	23
2.8	200	155	310	255	120	118	27
3.5	200	170	310	255	120	123	31
4	240	155	355	305	145	115	35
4.8	240	170	355	305	145	130	40
6	240	185	355	305	145	145	46
6.7	280	175	420	355	170	135	55
7.5	280	190	420	355	170	150	60
7.5	280	190	420	355	170	150	63
10	280	235	420	355	170	195	72
12	280	235	420	355	170	195	87
14	280	235	420	355	170	195	97
18	320	230	470	405	190	181	112
20	320	260	470	405	190	211	125
22	320	260	470	405	190	211	132
25	320	260	470	405	190	211	135