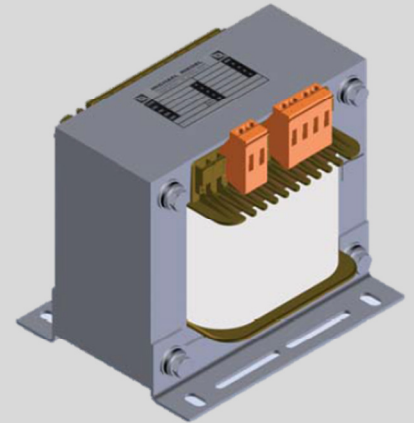


UL approved Single Phase transformer series WST1UL

The UL approved transformers in the WST1UL series meet national and international requirements for worldwide use. Designed according to the following specifications:

- **Voltages selectable** by customer prior to order
- Primary nominal voltage range 110V-600V incl. any number of taps possible (e.g. +/-10% over voltage taps)
- Maximum 3 separate windings on secondary side (the sum of all output windings must not exceed 660V when using over voltage tap)
- Connection to leakage current-resistant transformer terminals with screw fastening
- High reliability and long life
- Compact, low-weight design
- Low overall losses, high efficiency
- Above-average high power for short-time operation
- High voltage stability due to lower voltage drops between no-load and load periods.
- PE connection as 6.3x0.8mm tab connector
- Optional: PE screw terminal connector, PE shield and Thermal switch
- Autotransformer * adapted to type power

*) Suffix -A = Autotransformer

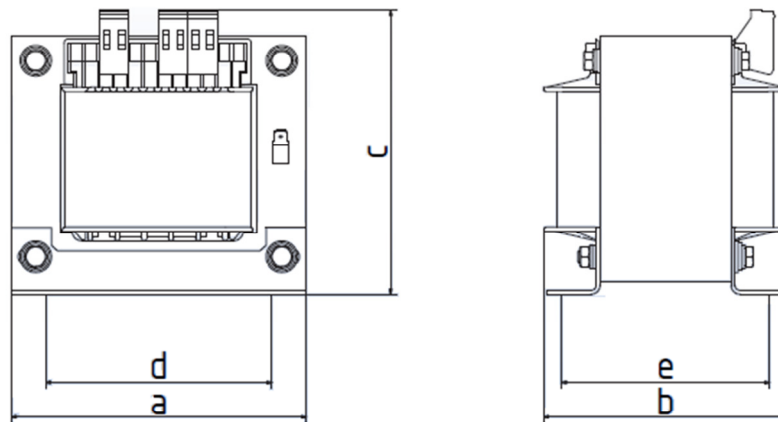


Specifications

Power:	30 – 3000 VA
Frequency:	50 Hz
Primary:	110 - 600V
Secondary:	12V...600V (30-700VA), 24V...600V (8000-1300VA) or 110V...600V (1600-3000VA)
Insulation:	Class B, ta40°C/B
Protection:	IP00
According to:	EN 61558
Approval:	UL5085 / CSA 22.2



Dimensions and fittings:



Technical specifications

Power VA	Copper kg	Total kg	Dimensions approx. In mm					Mounting
			A	B	C	D	E	
30	0.15	1.00	66	60	80	50	40	M4
40	0.22	1.10	66	80	72	50	52	M4
50	0.27	1.20	78	71	89	56	45	M4
63	0.28	1.47	78	80	89	56	54	M4
75	0.29	1.60	85	63	93	64	47	M4
100	0.34	2.10	85	82	93	64	61	M4
130	0.45	2.30	96	78	104	84	60	M5
145	0.52	2.20	85	90	93	64	69	M4
180	0.53	3.00	105	80	110	84	62	M5
200	0.58	2.90	96	88	104	84	70	M5
250	0.66	3.70	96	102	104	84	84	M5
270	0.63	3.50	105	88	110	84	69	M5
320	0.73	4.50	105	104	110	84	85	M5
330	1.00	4.15	120	88	120	90	70	M5
400	1.03	5.20	120	100	120	90	82	M5
460	1.10	6.00	120	108	120	90	90	M5
500	1.10	6.90	120	120	120	90	102	M5
510	1.60	6.45	135	105	131	104	86	M5
600	1.70	7.00	135	115	131	104	96	M5
630	1.68	7.80	150	107	145	122	84	M6
700	1.80	7.90	135	125	131	104	106	M5
800	2.50	10.00	150	124	145	122	101	M6
1000	2.60	12.50	150	150	145	122	127	M6
1100	2.80	12.70	174	128	157	135	96	M6
1300	3.13	14.70	174	138	157	135	106	M6
1600	3.40	16.70	174	148	156	135	116	M6
1900	4.00	21.10	174	168	156	135	136	M6
2000	4.50	22.50	195	154	178	150	122	M8
2500	6.00	24.60	195	176	178	150	144	M8
3000	6.60	26.90	195	182	178	150	150	M8